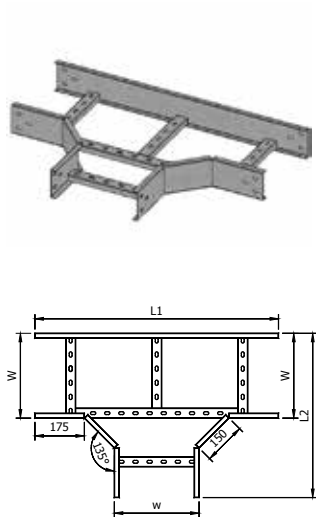
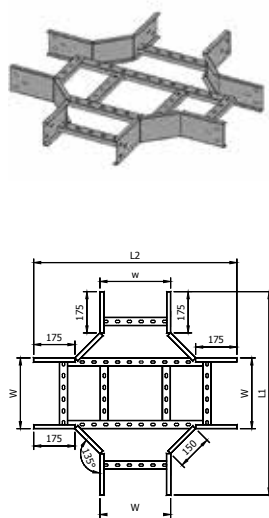


T ĐỀU - T-PIECE (HTL1010-BS)



Width W (mm)	Height H (mm)	Size L (mm)	Size L (mm)	Product Code	Thickness T (mm)		Finished		
					1.5	2.0	Coating	Pre-Galva	Hot Dip Galva
100	75	662	381	HTL1075	B	C	S	Z	M
	100	662	381	HTL1010					
200	75	762	481	HTL2075					
	100	762	481	HTL2010					
300	150	762	481	HTL2010					
	75	862	581	HTL3075					
400	100	862	581	HTL3010					
	150	862	581	HTL3015					
500	100	962	681	HTL4010					
	150	962	681	HTL4015					
600	100	1062	781	HTL5010					
	150	1062	781	HTL5015					
700	100	1162	881	HTL6010					
	150	1162	881	HTL6015					
800	100	1262	981	HTL7010					
	150	1262	981	HTL7015					
900	100	1362	1081	HTL8010					
	150	1362	1081	HTL8015					
900	100	1462	1181	HTL9010					
	150	1462	1181	HTL9015					

CHIA CHỮ THẬP - CROSS OVER



Width W (mm)	Height H (mm)	Size L (mm)	Size L (mm)	Product Code	Thickness T (mm)		Finished		
					1.5	2.0	Coating	Pre-Galva	Hot Dip Galva
100	75	662	662	HCL1075	B	C	S	Z	M
	100	662	662	HCL1010					
200	75	762	762	HCL2075					
	100	762	762	HCL2010					
300	150	762	762	HCL2010					
	75	862	862	HCL3075					
400	100	862	862	HCL3010					
	150	862	862	HCL3015					
500	100	962	962	HCL4010					
	150	962	962	HCL4015					
600	100	1062	1062	HCL5010					
	150	1062	1062	HCL5015					
700	100	1162	1162	HCL6010					
	150	1162	1162	HCL6015					
800	100	1262	1262	HCL7010					
	150	1262	1262	HCL7015					
900	100	1362	1362	HCL8010					
	150	1362	1362	HCL8015					
900	100	1462	1462	HCL9010					
	150	1462	1462	HCL9015					