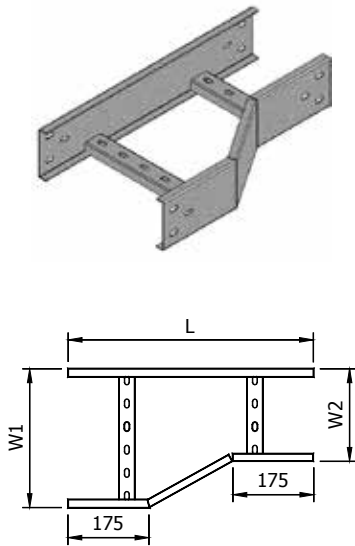
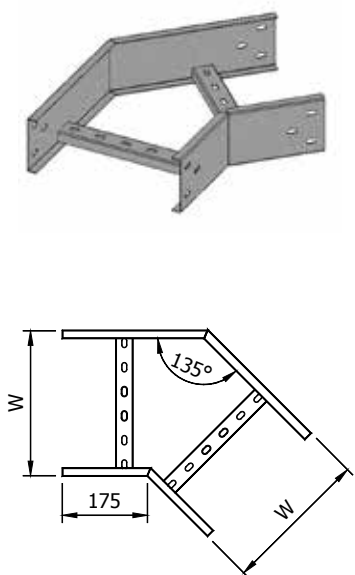


THU THANG - REDUCER (RTL1010-BS)



Width W (mm)	Height H (mm)	Size L (mm)	Size L (mm)	Product Code	Thickness T (mm)		Finished		
					1.5	2.0	Coat-ing	Pre-Galva	Hot Dip Galva
100	75	550		RTL1075	B	C	S	Z	M
	100	550		RTL1010					
200	75	550		RTL2075					
	100	550		RTL2010					
300	150	550		RTL2015					
	75	550		RTL3075					
400	100	550		RTL3010					
	150	550		RTL3015					
500	100	550		RTL4010					
	150	550		RTL4015					
600	100	550		RTL5010					
	150	550		RTL5015					
700	100	550		RTL6010					
	150	550		RTL6015					
800	100	550		RTL7010					
	150	550		RTL7015					
900	100	550		RTL8010					
	150	550		RTL8015					
900	100	550		RTL9010					
	150	550		RTL9015					

CHUYỂN HƯỚNG - CHANGE OTHER WAY



Width W (mm)	Height H (mm)	Size L (mm)	Size L (mm)	Product Code	Thickness T (mm)		Finished		
					1.5	2.0	Coat-ing	Pre-Galva	Hot Dip Galva
100	75			CAL1075	B	C	S	Z	M
	100			CAL1010					
200	75			CAL2075					
	100			CAL2010					
300	150			CAL2015					
	75			CAL3075					
400	100			CAL3010					
	150			CAL3015					
500	100			CAL4010					
	150			CAL4015					
600	100			CAL5010					
	150			CAL5015					
700	100			CAL6010					
	150			CAL6015					
800	100			CAL7010					
	150			CAL7015					
900	100			CAL8010					
	150			CAL8015					
900	100			CAL9010					
	150			CAL9015					