



LED Office Panel Light



PRODUCT PROFILE

Order Code	Lumen	Power	Dimensions	Beam Angle	CRI
CST_LOPL 401195295	3920/4800lm	40W	1195 * 295	120°	Ra≥80
CST_LOPL 601195595	5880/7200lm	60W	1195 * 595	120°	Ra≥80



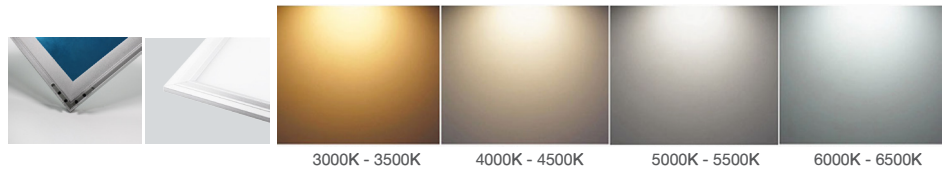
Optional LED Chip Brands



Standards



Application



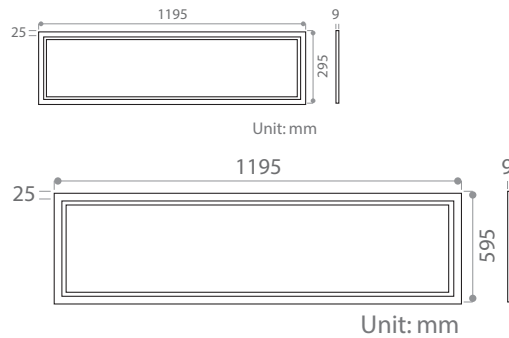
Description

LED Flat Panels are Thin, Low Profile Lay-In Troffers Created for business applications like schools, office lighting, and retail spaces, these LED flat panels to provide high CRI (Color Rendering Index) and low energy use. Our led flat panels are made to replace existing fluorescent troffer fixtures. LED Flat Panels, also are called lay-in led panels, thin led troffers, low profile led troffers, are designed for drop ceiling grids.

Features

High efficiency & lower power consumption
Efficient diffuser to avoid glare
No heat emission under the lamp
Frame : Aluminum;
LGP : MS / PMMA; Diffuser : PP / PS
It can connect with emergency Backup
Dimmable with compatible driver
10%-100% smooth linear dimming
Recessed, surface or suspension mounted
Surface Mounting Kit Optional

Technical Drawing



Photometric Data

